

**STEP 1.**

If equipped, remove side panels from the cabinet.

**STEP 2.**

Place the caster pads on an angle inside the base (aprox. 45°) and begin to turn either direction so the pad is parallel with the outside front and back of the frame and push it up tight to the inside.  
(See reference pic)

**STEP 3.**

Note: There are 2 mounting holes with nuts pressed in on each side of caster pad.  
(See Detail A)  
These nuts should align with the mounting holes in the flanges on the base once in place.  
(See Detail B)

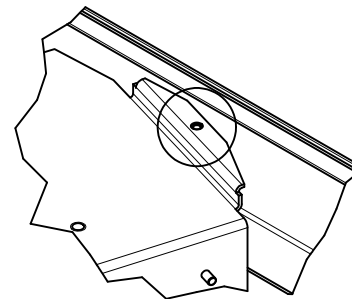
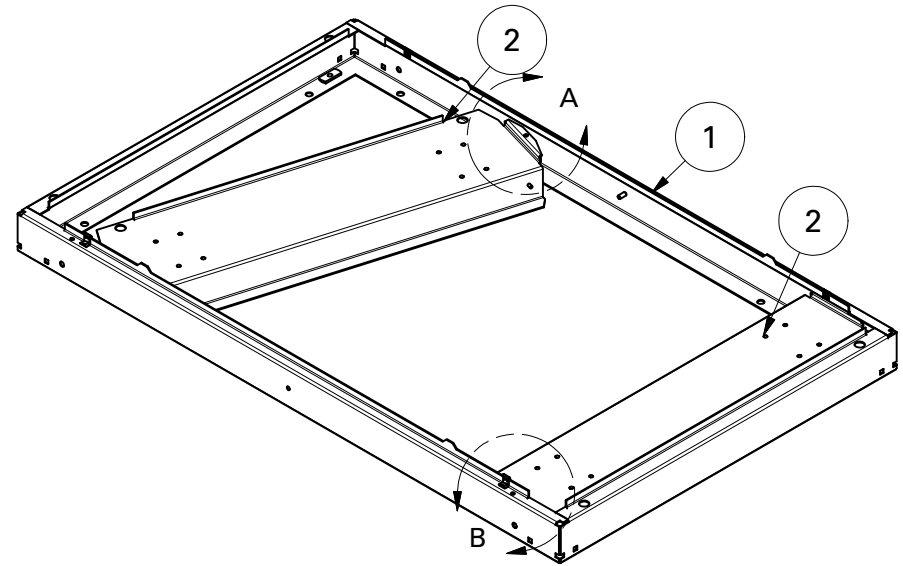
**STEP 4.**

With the flathead hardware supplied, the caster pad should be pulled up tight to the underside base flange and screws should then be installed from the top down into the nuts in the pads.  
(Make sure the screws are firmly tightened down)

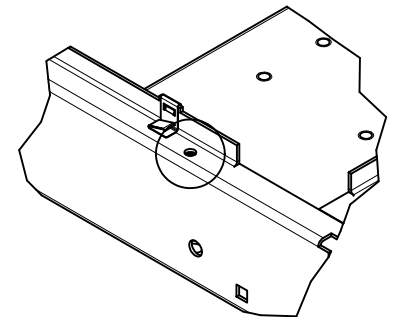
**STEP 5.**

Repeat steps 1-4 for the other pad.

PARTS LIST		
ITEM	QTY	PART NUMBER
1	1	RFM2-Base REFERENCE
2	2	RFM2-CASTERPAD REFERENCE



DETAIL A

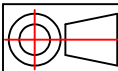


DETAIL B

**R.F. MOTE**

A division of Chatsworth Products

214 NEWKIRK RD.  
RICHMOND HILL, ONTARIO  
L4C 3G7  
PHONE (905) 884-5250  
FAX (905) 737-5188

TOLERANCES	DESCRIPTION		
FRAC. ± 1/16"	PART NUMBER <b>RFM2-CASTER PAD INSTALLATION</b>		
ANGLE ± 1.0°			
HOLES ± 0.003"			
0.000 ± 0.015"			
 <p>The information contained herewithin is proprietary and confidential to R.F.MOTE LTD. It may not be reproduced or further disseminated, in whole or in part, without prior written consent from R.F.MOTE LTD.</p>	DATE	MASS	REV
	06-Mar-24	31.58 lb	00
	AUTHOR gillison j	SHEET 1 OF 1	